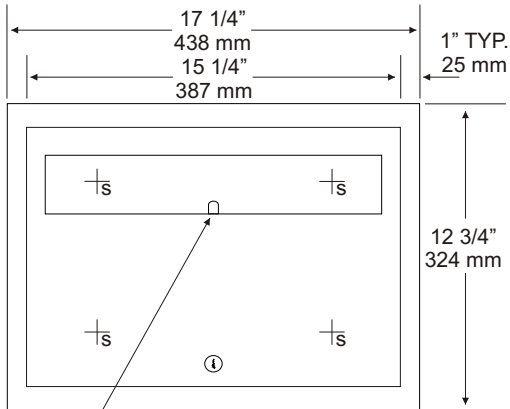


**U850 , U8504
 SEAT COVER
 DISPENSER**

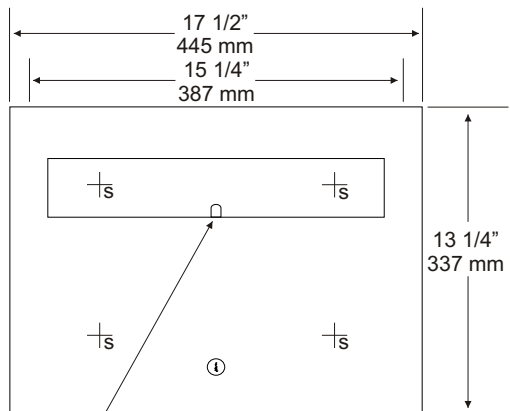
JOB #:

Item:

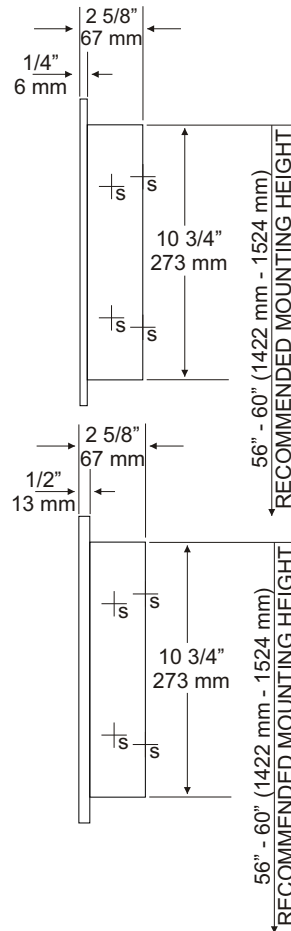
QTY:



U850



U8504



SPECIFICATIONS:

Body: Fabricated of type 304 #22 gauge stainless steel with a #4 satin finish on all exposed surfaces.

Flange: Type 304 #22 gauge stainless steel with 1/4" returns to wall without any miters.

Door: U850: Fabricated of type 304 #22 gauge stainless steel with a #4 satin finish.

U8504: Same as U850 with #18 ga stainless steel door in lieu of #22.

Seat cover dispensing area (on both units) are deburred and polished smooth to avoid paper tearing and injury.

Hinge: Full length, stainless steel piano type hinge.

Lock: Pin tumbler commercial quality, keyed like all other A & J cabinets.

U850: Recessed Seat Cover Dispenser.

Overall Size: 17 1/4"W x 12 3/4"H x 2 5/8"D
 438mm x 324mm x 68mm

Wall Opening: 15 3/4"W x 11 1/4"H x 2 3/8"D
 400mm x 286mm x 60mm

Capacity: 500 seat covers

INSTALLATION:

Provide required wall opening at desired or specified location with coordination with architect or contractor to avoid interference with pipes, vents, etc... Unlock cabinet and place unit in opening. Secure to rough framing with proper fasteners per each application. Fill dispenser with product and secure cabinet door.

U8504: Recessed Uni-Door Seat Cover Dispenser.

Overall Size: 17 1/2"W x 13 1/4"H x 2 5/8"D
 445mm x 337mm x 68mm

Wall Opening: 15 3/4"W x 11 1/4"H x 2 5/8"D
 400mm x 286mm x 60mm

APPLICATION:

To provide a recessed, stainless steel toilet seat cover dispenser in standard or Uni-Door design.

