



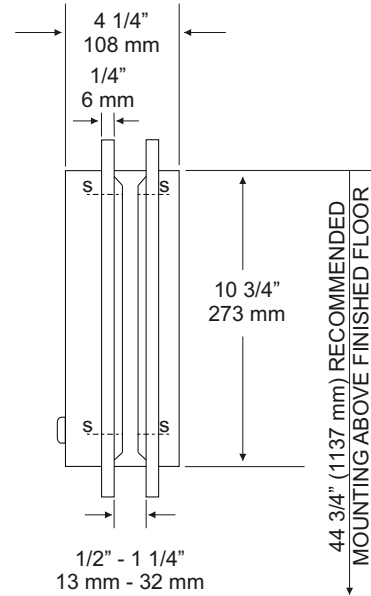
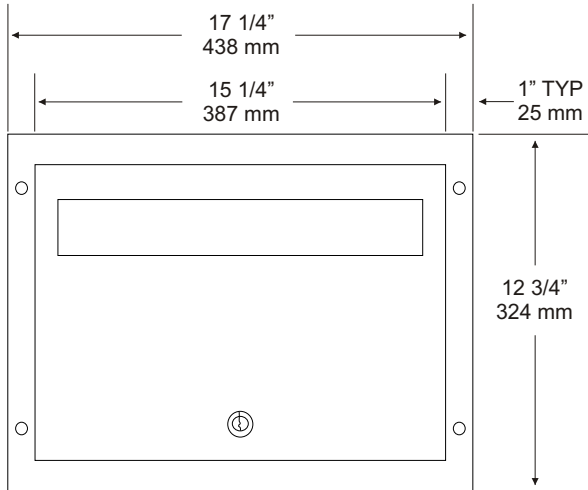
U852, U852H SEAT COVER DISPENSER

JOB #:

ITEM #:

QTY:

MOUNTING HANDING TYPE SIZE OTHER



SPECIFICATIONS:

Body: Fabricated of type 304 #22 gauge stainless steel with a #4 satin finish on all exposed surfaces.
Flange: Type 304 #22 gauge stainless steel with 1/4" returns without any exposed miters or welds. One flange is welded the other is adjustable.
Door: Fabricated of type 304 #22 gauge stainless steel with a #4 satin finish. Seat cover dispensing area is deburred and polished to avoid tearing of product. One side of unit can be opened for servicing.
Hinge: Full length stainless steel piano type hinge.
Lock: Pin tumbler, commercial quality keyed like all other A & J accessories.

U852: Partition Mtd Uni-Door seat Cover Dispenser.

Overall Size: 17 1/2"W x 12 3/4"H x 4 1/4"D
 445mm x 337mm x 108mm

Wall Opening: 15 3/4"W x 11 1/4"H
 400mm x 324mm

Will fit partitions 1/2" - 1 1/4"

Capacity: 500 seat covers per side

U852H: Same as U852 only fixed flange is flush mounted to accommodate grab bar installation. **** (Grab Bar sold separate)**

INSTALLATION:

Provide required wall opening at desired or specified location. Coordinate installation with contractor or architect. Unlock cabinet, remove adjustable flange and place unit in wall opening. Secure fixed flange to wall surface with proper fasteners. Repeat same procedure for adjustable flange. Fill dispenser with seat cover's and lock cabinet.

APPLICATION:

To provide a partition mounted, stainless steel toilet seat cover dispenser.

