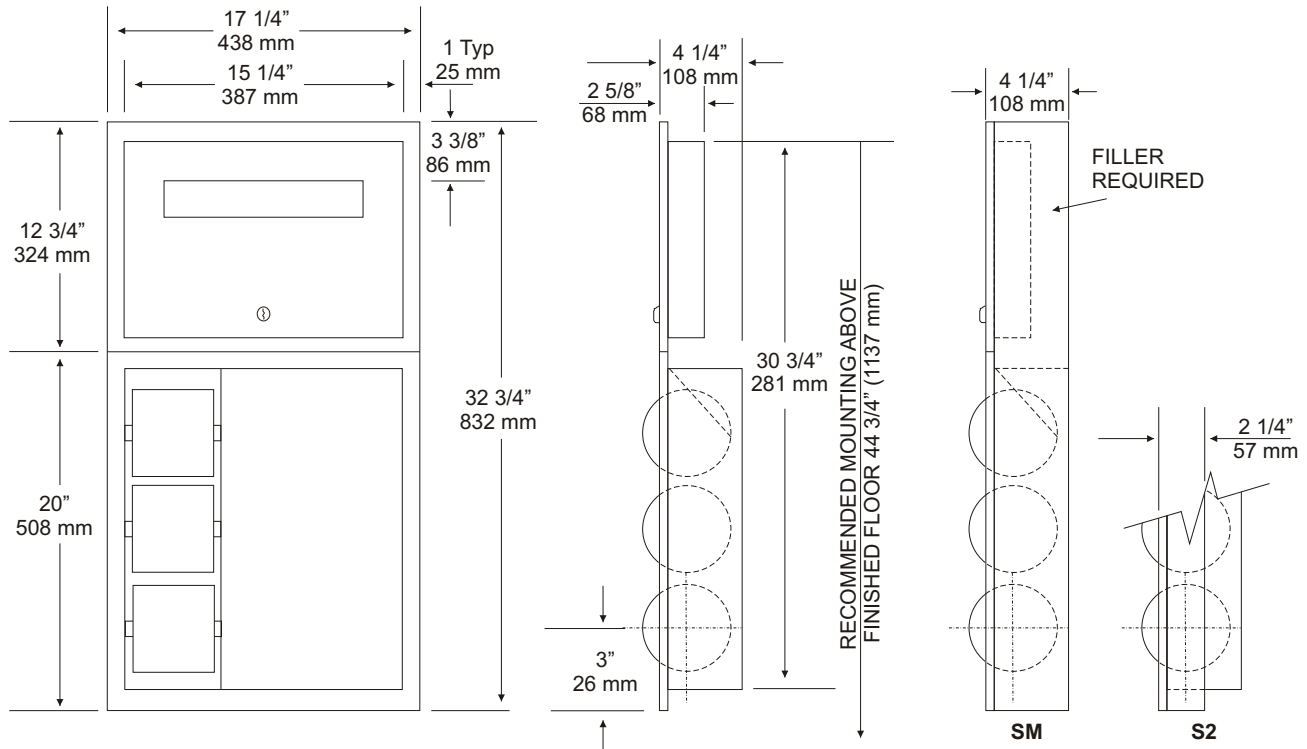


**U8603A
 COMBINATION UNITS
 (MENS ROOM)**

JOB #:

Item:

QTY:



SPECIFICATIONS:

Cabinet: Fabricated of type 304 #22 gauge stainless steel. **All exposed surfaces have a #4 satin finish.**

Flange: Fabricated of type 304 #22 gauge stainless steel one-piece drawn seamless construction. No seams or exposed miters with 1/4" returns to wall surface.

Toilet Tissue Dispenser: Type 304 #22 gauge stainless steel hat adapters secure chrome plated, spring loaded rollers in place. **U007: Theft Resistant Rollers:** Optional style rollers that prevent core from being removed until roll has been depleted.

Seat Cover Dispenser: Type 304 #22 gauge stainless steel secured by pin tumbler lock.

Hinges: All hinges are full length, heavy duty, stainless steel piano type hinges.

Collars: #22 ga stainless steel finished to match cabinet.

U8603A: Seat Cover Dispenser and Toilet Tissue Dispenser for mens room.

Overall Size: 17 1/4"W x 32 3/4"H x 4 1/4"D
 438mm x 832mm x 108mm

Wall Opening: 15 3/4"W x 31 3/4"H x 4"D
 400mm x 806mm x 102mm

Capacity: **Toilet Tissue:** 3 rolls, max 5 3/4" O.D.
Seat Cover: 500

INSTALLATION:

Provide rough wall opening at desired or specified location of 15 3/4"W x 31 3/4"H. (Depth of opening will depend on type mounting required.) Place lower unit in opening. Before securing place seat cover dispenser in opening to ensure proper fit. If both units fit properly in opening, secure bottom unit than the top. If collars are required, place collar onto the units from the back before securing to mounting area. Fill seat cover dispenser and toilet tissue rolls.

U8603A-S2: Semi-recessed with 2" collar, 2" wall opening.

U8603A-SM: Surface Mounted cabinet.

APPLICATION:

To provide a combination seat cover dispenser and triple toilet tissue dispenser in various mounting styles in high traffic areas.



Form: U8603A2000