

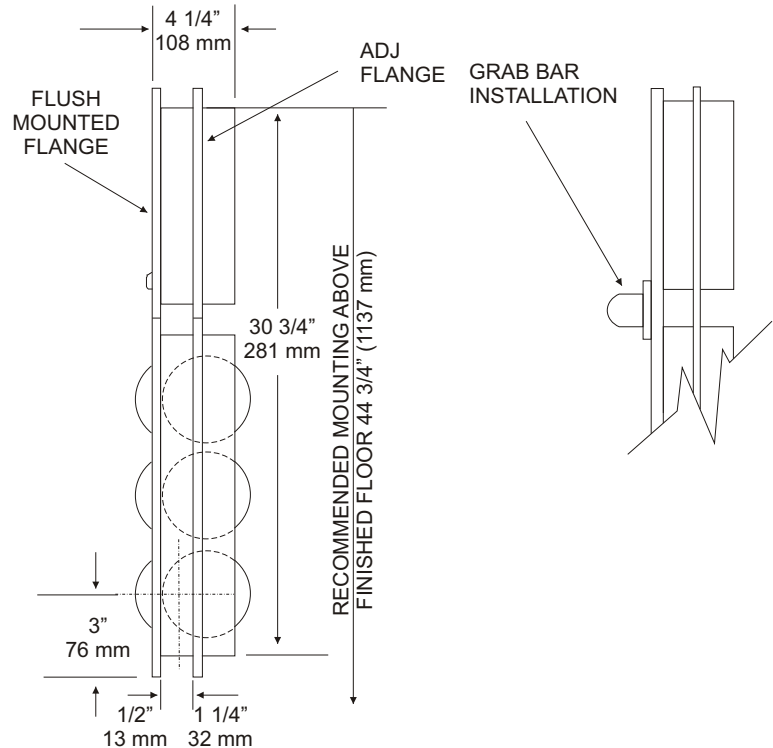
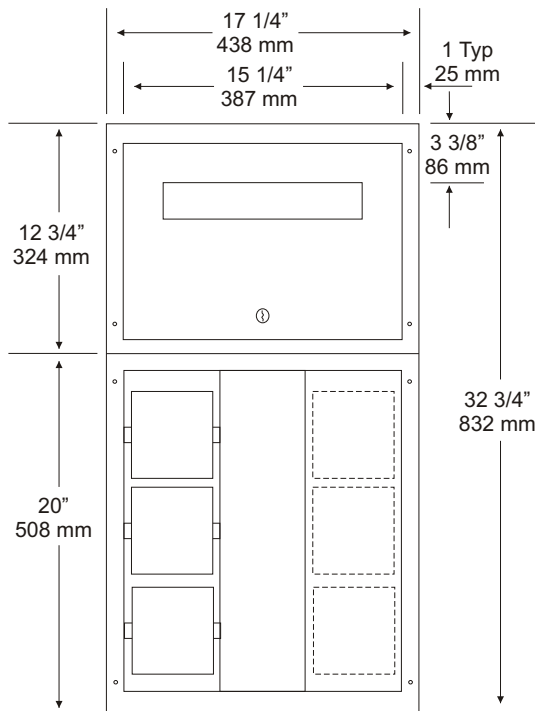
**U8613AH  
 COMBINATION UNIT  
 (DUAL STALL MENS ROOM)**

JOB #:

ITEM #:

QTY:

Mounting	Handing	Type	Size	Other
----------	---------	------	------	-------



**SPECIFICATIONS:**

**Cabinet:** Fabricated of type 304 #22 gauge stainless steel. **All exposed surfaces have a #4 satin finish.**

**Adj. Flanges:** Fabricated of type 304 #22 gauge stainless steel one-piece drawn seamless construction. No seams or exposed miters with 1/4" returns to wall surface. (Exposed mounting points) One flange is flush mounted to accommodate grab bar installation. *Grab bar is ordered separate.*

**Toilet Tissue Dispenser:** Type 304 #22 gauge stainless steel hat adapters secure chrome plated, spring loaded rollers in place. **U007: Theft Resistant Rollers:** Optional style rollers that prevent core from being removed until roll has been depleted.

**Seat Cover Dispenser:** Type 304 #22 gauge stainless steel secured by pin tumbler lock.

**Hinges:** All hinges are full length, heavy duty, stainless steel piano type hinges.

**U8613AH:** Dual Seat Cover Dispenser, Toilet Tissue Dispenser, with accommodation for grab bar.

**Overall Size:** 17 1/4"W x 32 3/4"H x 4 1/4"D  
 438mm x 832mm x 108mm

**Adjustable to fit partitions 1/2" - 1 1/4" thick.**

**Wall Opening:** 15 3/4"W x 31 3/4"H  
 400mm x 806mm

**Capacity: Toilet Tissue:** 6 rolls, max 5 3/4" O.D.  
**Seat Cover:** 1000

**INSTALLATION:**

Provide rough wall opening at desired or specified location of 15 3/4"W x 31 3/4"H. Place lower unit in opening. Before securing place seat cover dispenser in opening to ensure proper fit. If both units fit properly in opening, secure bottom unit than the top by the side with the fixed flange and exposed mounting points. Secure adjustable flange last in the same manor. Secure with proper fasteners per each application. Fill seat cover dispenser and toilet tissue rolls.

**APPLICATION:**

To provide a dual combination seat cover dispenser, triple toilet tissue dispenser. Ideal for installation in high traffic areas in mens room.



Form: U8613AH/2000