

# U8643 COMBINATION UNIT

JOB #:

ITEM:

QTY:

PRINT DATE:

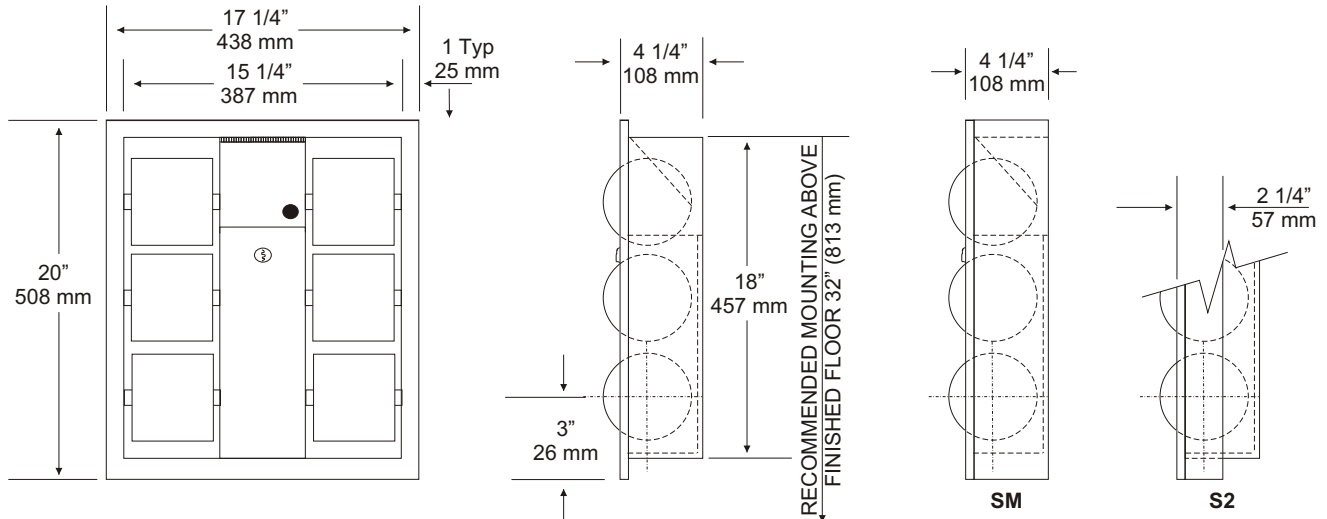
MOUNTING

HANDING

TYPE

SIZE A

OTHER



## SPECIFICATIONS:

**Cabinet:** Fabricated of type 304 #22 gauge stainless steel. **All exposed surfaces have a #4 satin finish.**

**Flange:** Fabricated of type 304 #22 gauge stainless steel one-piece drawn seamless construction. No seams or exposed miters with 1/4" returns to wall surface.

**Napkin Disposal:** Self closing push panel door is fabricated of type 304 #22 gauge stainless steel. **Removable Waste** is fabricated of same material with pin tumbler lock. Waste is identified with International Graphic symbol.

**Toilet Tissue Dispenser:** Type 304 #22 gauge stainless steel hat adapters secure chrome plated, spring loaded rollers in place. **U007: Theft Resistant Rollers:** Optional style rollers that prevent core from being removed until roll has been depleted.

**Hinges:** All hinges are full length, heavy duty, stainless steel piano type hinges.

**Collars:** #22 ga stainless steel finished to match cabinet.

**U8646:** Toilet Tissue Dispenser and Sanitary Napkin Disposal.

**Overall Size:** 17 1/4"W x 20"H x 4 1/4"D  
438mm x 508mm x 108mm

**Wall Opening:** 15 3/4"W x 18 1/2"H x 4"D  
400mm x 470mm x 102mm

**Capacity: Waste:** 1.10 gallons

**Toilet Tissue:** 3 rolls, max 5 3/4" O.D.

## INSTALLATION:

Provide rough wall opening at desired or specified location of 15 3/4"W x 18 1/2"H. (Depth of opening will depend on type mounting required.) Place unit in opening to ensure proper fit. If unit fits properly in opening, secure with proper fasteners per application.. If collars are required, place collar onto the units from the back before securing to mounting area. Fill toilet tissue rolls.

**U8643-S2:** Semi-recessed with 2" collar, 2" wall opening.

**U8643-SM:** Surface Mounted cabinet.

## APPLICATION:

To provide a combination 3 roll toilet tissue dispenser and sanitary napkin disposal in various mounting styles in high traffic areas.