

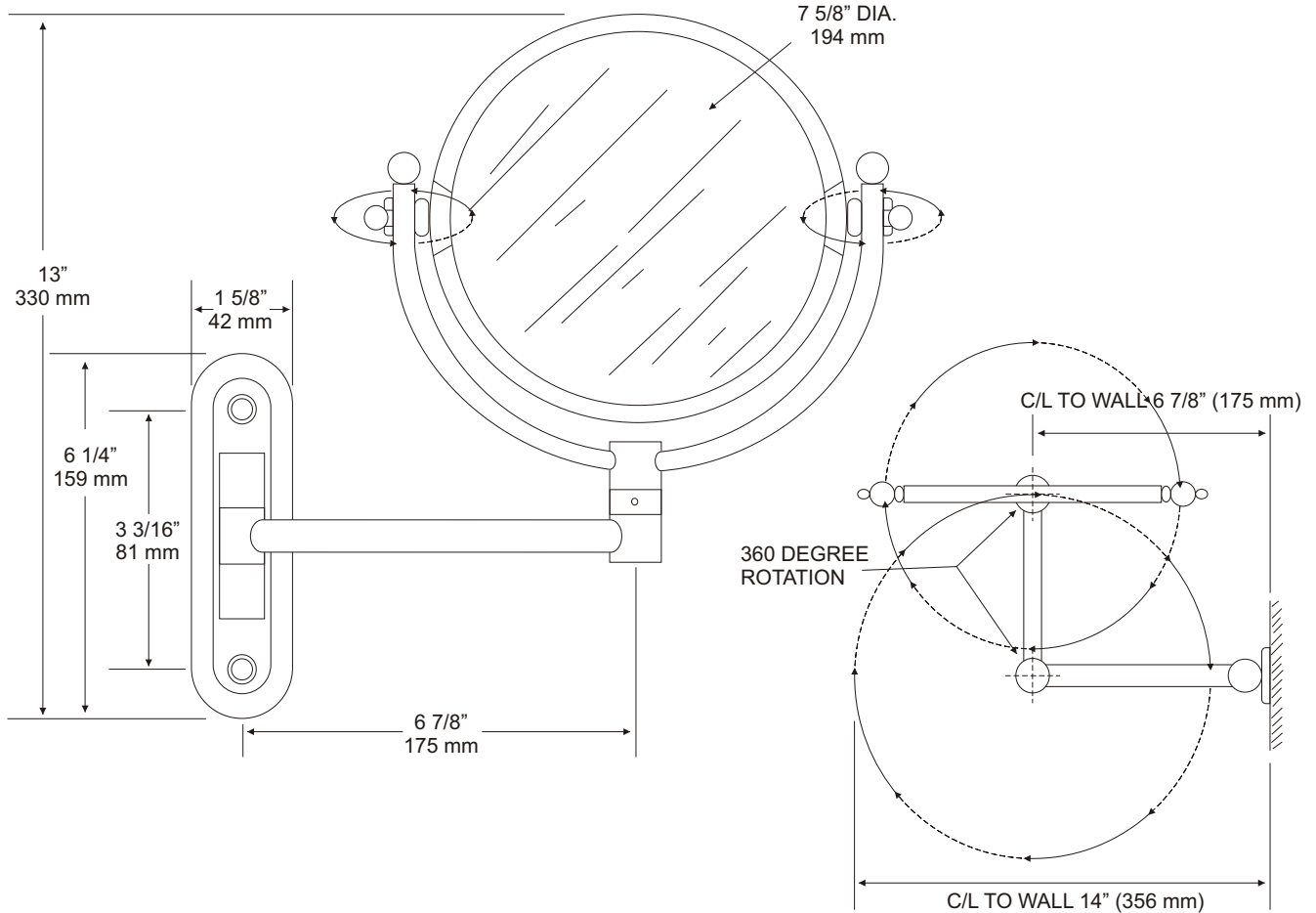
**U901  
 MAKE UP /  
 SHAVING MIRROR**

JOB #:

ITEM #:

QTY:

MOUNTING      HANDING      TYPE      SIZE      OTHER



**SPECIFICATIONS:**

Surface mounted mirror with exposed mounting bracket is fabricated of high polished stainless steel. Set screw on arm below mirror has an adjustable set screw that allows mirror to rotate 360 degree's or remain in one locked position. Maximum projection from wall surface is 14" centerline of support post. One side of mirror has a 2.5X magnification and the other side is 4X.

**Overall Size:** 13"H x 14" Max Depth (c/l)  
 330mm x 356mm

**INSTALLATION:**

Place mirror on wall surface. Extend arm to the maximum in all directions to avoid interference with any obstacle. Transfer mounting points to wall surface and drill pilot holes. Secure with proper fasteners per each application.

**APPLICATION:**

To provide a surface mounted mirror with two (2) magnifications and adjustable arm.

