



U156 Soap Dispenser

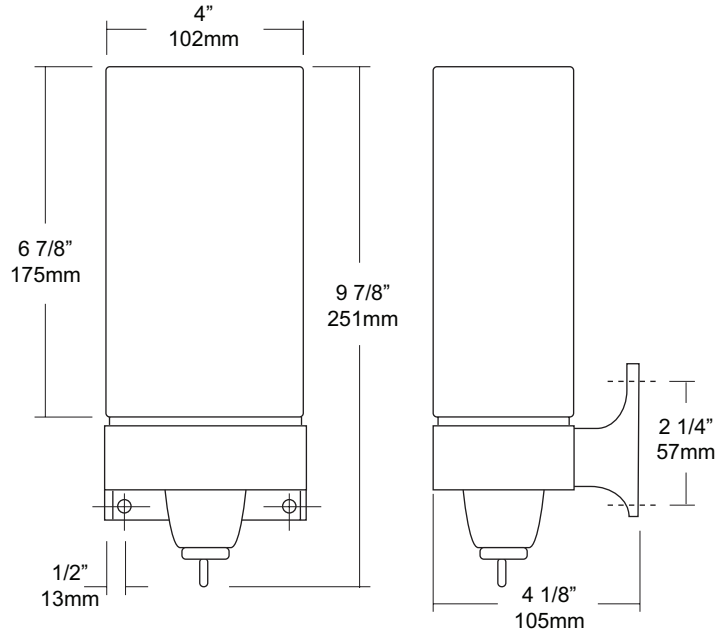
Revision 03/11

JOB #:

ITEM #:

QUANTITY:

MOUNTING	HANDING	TYPE	SIZE	OTHER



SPECIFICATIONS

Globe: Fabricated of translucent shatterproof, corrosion resistant polyethylene with a smooth curved design.

Valve Assembly: Fabricated of high Impact plastic, corrosion resistant ABS material with a stainless steel return spring. Dispensers pre-measured amounts of soap to prevent waste. Valve will dispense most liquids and lotions. (Not pumice soaps) Push-up valve, one-hand operation design requires less than 5 lbs. of force to activate. When properly mounted dispenser will comply with ADA code.

Mounting Bracket & Valve Cover: Fabricated of highly polished chrome plated ABS material.

Overall Size: 4"W x 9 7/8"H x 4 1/8"D

102mm x 251mm x 105mm

Capacity: 32 oz.

INSTALLATION

If mounting on wall surface, transfer mounting hole dimensions as shown on drawing. Drill pilot holes and secure unit to surface with proper fasteners. Push up valve cannot be any higher than 40" above finished floor to comply with ADA code.

*It is not recommended to mount any soap dispenser on mirrors

**For best performance, use pre-mixed low concentrate solutions. Dispensers should have periodic maintenance performed to insure the life of the dispenser. Rinse out tank and valve with warm water to prevent sludge buildup.

Preventative Maintenance: Each dispenser should be flushed out aprx. Every 30 days with warm water to prevent valve from clogging with old soap. Do not use abrasive cleaners to clean dispenser.

NOTES