



# U181

Folded Towel Dispenser

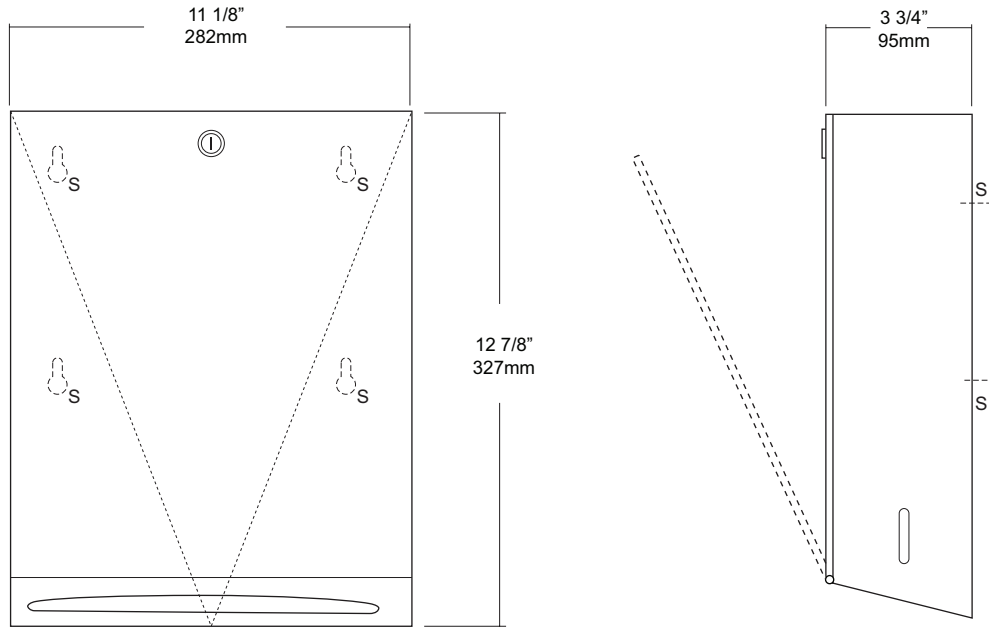
Revision 03/11

JOB #:

ITEM #:

QUANTITY:

MOUNTING	HANDING	TYPE	SIZE	OTHER



SPECIFICATIONS	INSTALLATION
----------------	--------------

**Cabinet:** Fabricated of heavy gauge steel with a white, powder coated finish. Door is equipped with a keyed lock

**Hinges:** Full length, heavy duty, stainless steel , piano type hinge. (Welded, no rivets)

**Locks:** Pin tumbler, commercial quality.

**Towel Dispenser:** Area is hemmed to prevent towel tearing and injury.

**Overall Size:** 11 1/8"W x 12 7/8"H x 3 3/4"D  
**279mm x 327mm x 102mm**

**Capacity:** 400 c-fold or 525 multifold

Provide an area on mounting surface at desired or specified location. Open cover and place unit against wall and transfer mounting points after checks out to be level and is at the proper mounting height. Secure unit to surface with proper fasteners, fill cabinet with towels, close cover and remove key.

Recommend towel dispensing area at a height of 40" above finished floor to meet ADA Code.

**NOTES**