



# UJ18

Pail or Ladder Hook

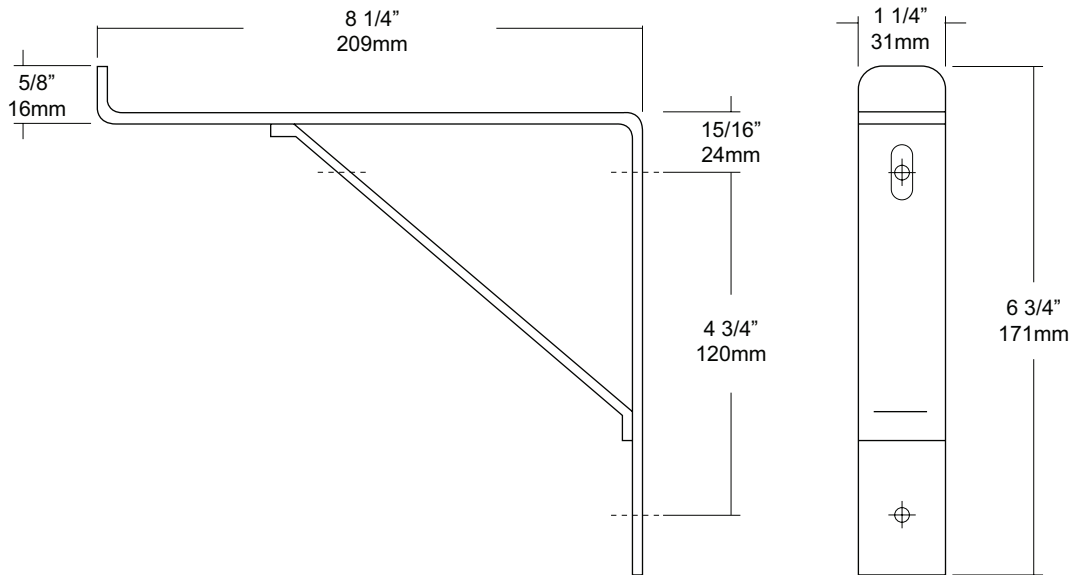
Revision 03/11

JOB #:

ITEM #:

QUANTITY:

MOUNTING	HANDING	TYPE	SIZE	OTHER



SPECIFICATIONS	INSTALLATION
----------------	--------------

**Hook:** Fabricated of #14 gauge stainless steel with front edge retaining lip.  
**Overall Size:** 1 1/4"W x 6 3/4"H x 8 1/4" off wall surface  
**31mm x 171mm x 209mm**

Place hook on mounting surface and transfer mounting points. Drill pilot holes and secure with proper fasteners per each application.

**NOTES**