



US51

Chase Mounted Hook Strip & Shelf

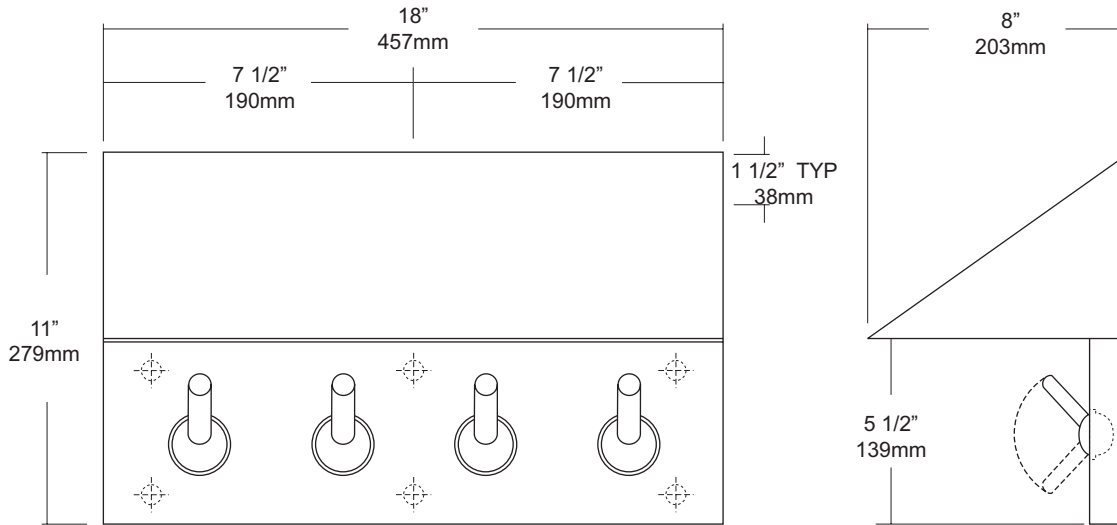
Revision 03/11

JOB #:

ITEM #:

QUANTITY:

MOUNTING	HANDING	TYPE	SIZE	OTHER



SPECIFICATIONS

Mounting Strip: Fabricated of #14 gauge stainless steel with a #4 satin finish. Six (6) concealed mounting points secure unit to wall surface.

Hooks: Concealed mounted hook is fabricated of #14 gauge stainless steel with a #4 satin finish. Pivoting ball joint releases when excessive force is applied. (Aprx: 35lbs.)

Shelf / Back Plate: Fabricated of #14 gauge stainless steel with a #4 satin finish on all exposed surfaces.

Overall Size: 18"W x 11"H x 8"D

457mm x 279mm x 203mm

Note: This unit can only be mounted on a chase wall

INSTALLATION

This unit can only be installed properly on a chase wall. Place strip on wall surface making sure unit is level at desired or specified location. Transfer mounting points and drill pilot holes for fasteners. Insert threaded rods through mounting points (drilled holes) and thread into weld nuts. Secure rod with nut and washer for each rod. Secure unit with proper fasteners per each application. (Fasteners and rods not included)

NOTES